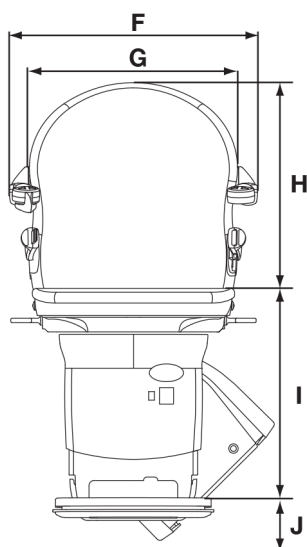
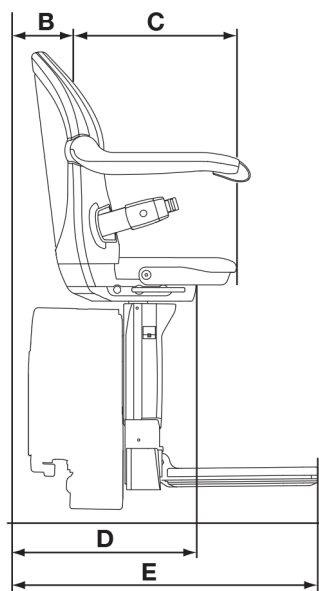
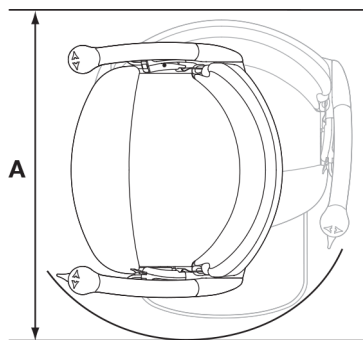


Handicare 1000 (XL + XXL)

Straight Stairlifts



Smart seat		Dimensions
A	Minimum swivel radius	670mm
	With armrest spacers	695mm
	With extended armrest spacers	710mm
B	Wall to inner seat back*	75mm
C	Seat depth	360mm
	With extended seat	425mm
D	Minimum folded width to footplate*	385mm
E	Minimum open width to edge footplate*	650mm
F	Armrest width – external	550mm
	With armrest spacers	590mm
	With extended armrest spacers	635mm
G	Armrest width – internal	465mm
	With armrest spacers	520mm
	With extended armrest spacers	565mm
H	Seat back height	455mm
I	Footplate to seat height	
	Standard seat option	465-540mm
	Perch seat option**	675-875mm
J	Minimum footplate height	70mm
	Minimum track intrusion into staircase	115mm
	Maximum weight limit - Standard version	137kg/21½st
	Heavy duty version (XL)***	160kg/25st
	Extra heavy duty version (XXL)***	200kg/31st
	Speed	0.07m/sec
	Staircase angle	27 - 56°

* +45 mm for extra heavy duty (XXL) 2-way swivel with extended armrest spacers

** Not available for extra heavy duty (XXL)

*** Not available with hinged rail

Some of the above dimensions depend on the characteristics of the staircase in the home. Please consult the sales manual for further information about these dimensions and features of this seat. All information is provided in good faith but does not constitute a guarantee. Handicare reserves the right to alter designs and specifications without prior notice.

T : UK/USA > 0031 72 75 11116
 GER > 0031 72 75 11117
 FRA > 0031 72 75 11118
 ROW > 0031 72 75 11119
 F : 0031 72 57 68 877
 E: data@handicare.com