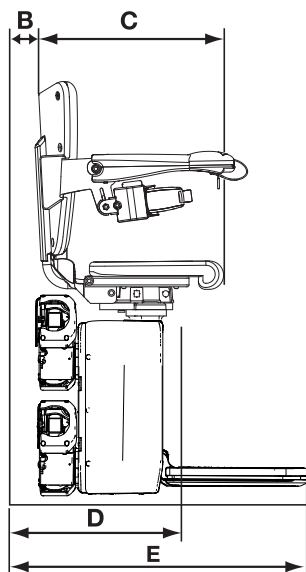
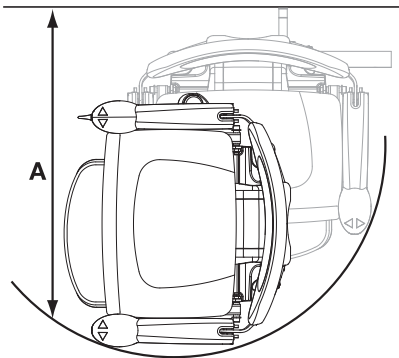


Handicare 4000 style

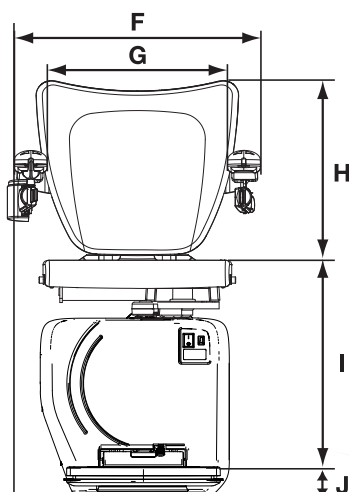
Twin rail curved stairlifts



Style Seat		Dimensions
A	Minimum swivel radius	735mm
	With short armrest	700mm
B	Wall to inner seat back	110mm
C	Seat depth	390mm
D	Minimum folded width to footplate	405mm
E	Minimum open width to footplate edge	695mm
	To small footplate	635mm
	To offset footplate	655mm
F	Armrest width – external	585mm
G	Armrest width – internal	430mm
H	Seat back height	400mm
	Footplate rake adjustment	50mm
I	Footplate to seat height	470-550mm
	With footplate rake adjustment	420-500mm
J	Minimum footplate height	70mm*
	Minimum track intrusion into staircase	125mm
	Standard weight limit	136kg/21½st
	Heavy duty weight limit	160kg/25¼st
	Speed	0.12m/sec
	Maximum staircase angle	56°

* At horizontal landings

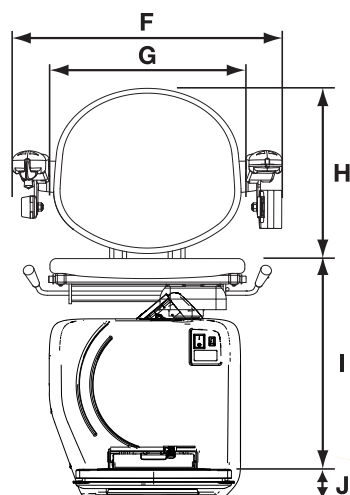
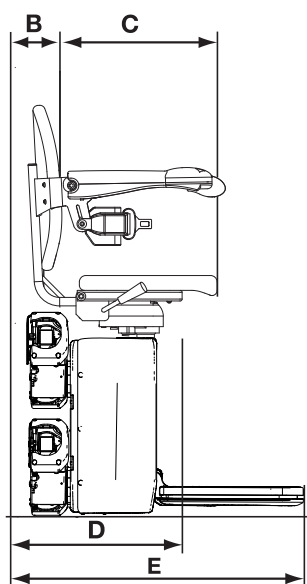
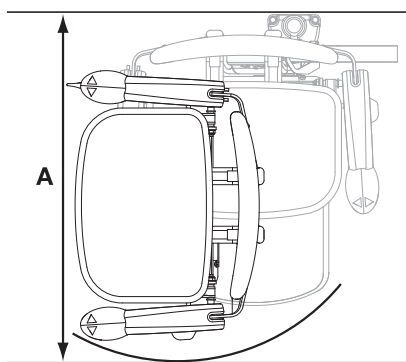
Please note, the dimensions for the Style and Simplicity seats are the same.



Some of the above dimensions depend on the characteristics of the staircase in the home. Please consult the sales manual for further information about these dimensions and features of this seat. All information is provided in good faith but does not constitute a guarantee. Handicare reserves the right to alter designs and specifications without prior notice.

Handicare 4000 Simplicity

Twin rail curved stairlifts



Simplicity Seat		Dimensions
A	Minimum swivel radius	735mm
	With short armrest	700mm
B	Wall to inner seat back	110mm
C	Seat depth	390mm
D	Minimum folded width to footplate	405mm
E	Minimum open width to footplate edge	695mm
	To small footplate	635mm
	To offset footplate	655mm
F	Armrest width – external	585mm
G	Armrest width – internal	430mm
H	Seat back height	400mm
	Footplate rake adjustment	50mm
I	Footplate to seat height	470-550mm
	With footplate rake adjustment	420-500mm
J	Minimum footplate height	70mm*
	Minimum track intrusion into staircase	125mm
	Standard weight limit	136kg/21½st
	Heavy duty weight limit	160kg/25¼st
	Speed	0.12m/sec
	Maximum staircase angle	56°

* At horizontal landings

Please note, the dimensions for the Style and Simplicity seats are the same.

Some of the above dimensions depend on the characteristics of the staircase in the home. Please consult the sales manual for further information about these dimensions and features of this seat. All information is provided in good faith but does not constitute a guarantee. Handicare reserves the right to alter designs and specifications without prior notice.